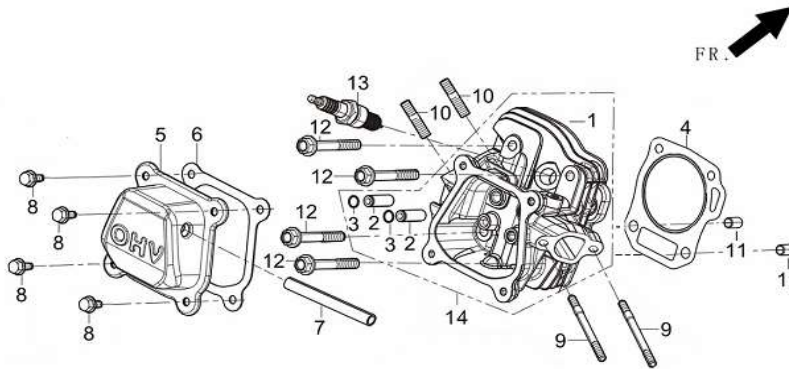


KOSHIN Engine(K-180) Parts Price List

Issued : 21st February, 2020

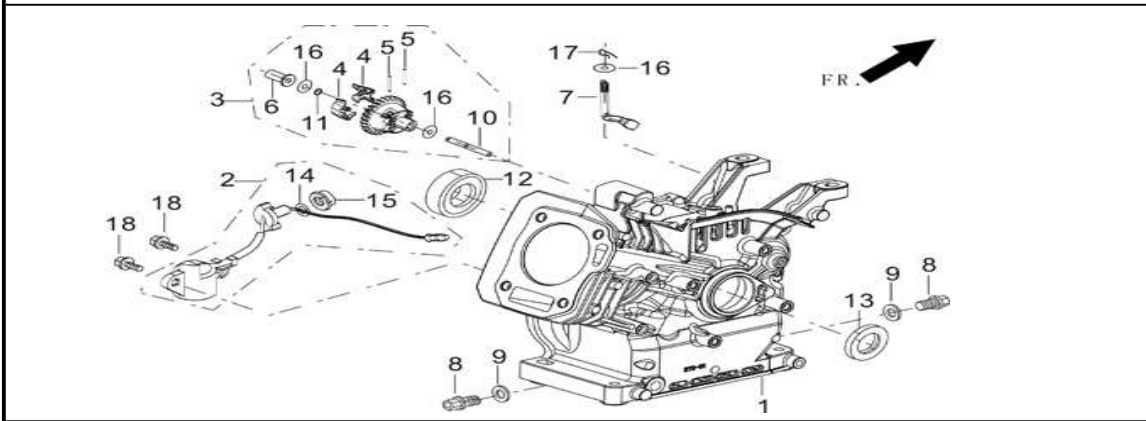
Validity : 20th February, 2021

FIG.1 HEAD SUB-ASSEMBLY, CYLINDER / PLUG, SPARK



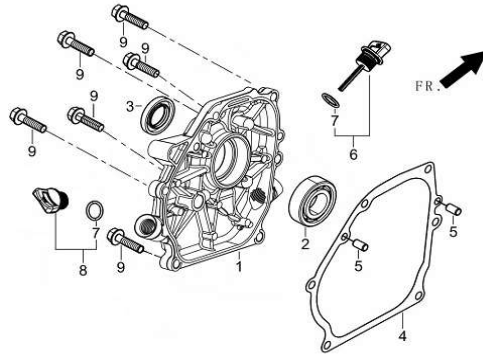
REF.NO.	PARTS CODE	DESCRIPTION	Q'TY	Unit Price (USD) EX-WORK
FIG.1-4	1000001	GASKET, CYLINDER HEAD	1	1.58
FIG.1-5	1000002	COVER SUB-ASSEMBLY, CYLINDER HEAD	1	2.46
FIG.1-6	1000399	GASKET, CYLINDER HEAD COVER (REV.FROM 1000003)	1	0.40
FIG.1-7	1000004	TUBE, BREATHER	1	0.40
FIG.1-8	1000400	BOLT (SAME AS 1000005)	4	0.40
FIG.1-9	1000006	STUD	2	0.56
FIG.1-10	1000007	STUD	2	0.40
FIG.1-11	1000008	PIN	2	0.40
FIG.1-12	1000009	BOLT, CYLINDER HEAD	4	0.40
FIG.1-13	1000010	PLUG, SPARK (OIL ALERT, EMC)	1	2.42
	1000092	PLUG, SPARK	1	1.95
FIG.1-14	1000011	HEAD SUB-ASSEMBLY, CYLINDER	1	14.96

FIG.2 CRANKCASE. / GEAR ASSY, GOVERNOR.



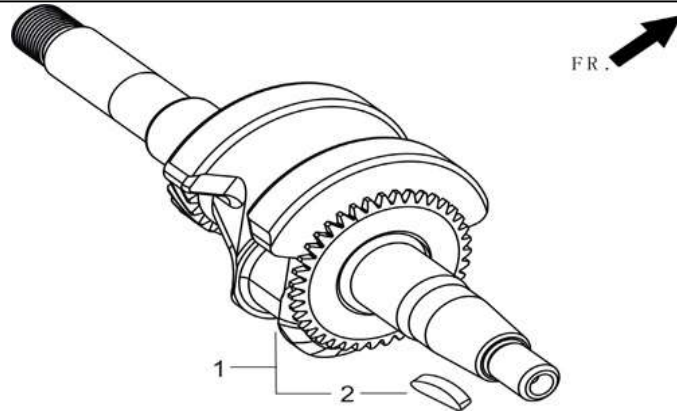
REF.NO.	PARTS CODE	DESCRIPTION	Q'TY	Unit Price (USD) EX-WORK
FIG.2-1	1000012	CRANKCASE SUBASSEMBLY.(OIL ALERT)	1	31.70
	1000093	CRANKCASE SUBASSEMBLY.	1	33.58
FIG.2-2	1000013	SENSOR, ENGINE OIL (OIL ALERT)	1	3.18
FIG.2-3	1000014	GEAR ASSY, GOVERNOR	1	1.48
FIG.2-7	1000015	ARM, GOVERNOR	1	0.70
FIG.2-8	1000016	BOLT, DRAIN PLUG	2	0.40
FIG.2-9	1000017	WASHER	2	0.40
FIG.2-12	1000404	BEARING (REV.FROM 1000018)	1	2.38
FIG.2-13	1000019	SEAL, OIL	1	0.80
FIG.2-15	1001287	NUT	1	0.40
FIG.2-16	1000020	WASHER, GOVERNOR GEAR	3	0.40
FIG.2-17	1000021	PIN	1	0.40
FIG.2-18	1000735	BOLT (REV.FROM 1000022)	2	0.40

FIG.3 COVER SUB-ASSEMBLY, CRANKCASE



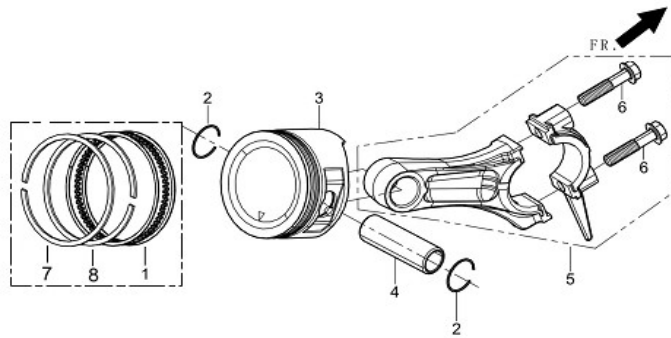
REF.NO.	PARTS CODE	DESCRIPTION	Q'TY	Unit Price (USD) EX-WORK
FIG.3-1	1000023	COVER ASSY, CRANKCASE	1	9.74
FIG.3-2	1000404	BEARING (REV.FROM 1000018)	1	2.38
FIG.3-3	1000019	SEAL, OIL	1	0.80
FIG.3-4	1000024	GASKET, CRANKCASE	1	1.54
FIG.3-5	1000025	PIN	2	0.40
FIG.3-6	1000405	DIPSTICK SUB-ASSEMBLY, OIL (REV.FROM 1000026)	1	0.40
FIG.3-8	1000406	PLUG SUB-ASSEMBLY, ENGINE OIL (REV.FROM 1000027)	1	0.40
FIG.3-9	1000407	BOLT (CHANGED FROM 1000028)	6	0.40

FIG.4 ROD,CRANKSHAFT CONNETING



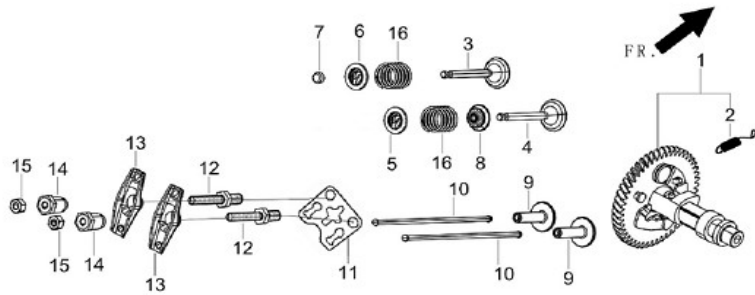
REF.NO.	PARTS CODE	DESCRIPTION	Q'TY	Unit Price (USD) EX-WORK
FIG.4-1	100029	CRANKSHAFT ASSY.	1	19.54

FIG.5 RING SET,OIL / ROD,CRANKSHAFT CONNECTING



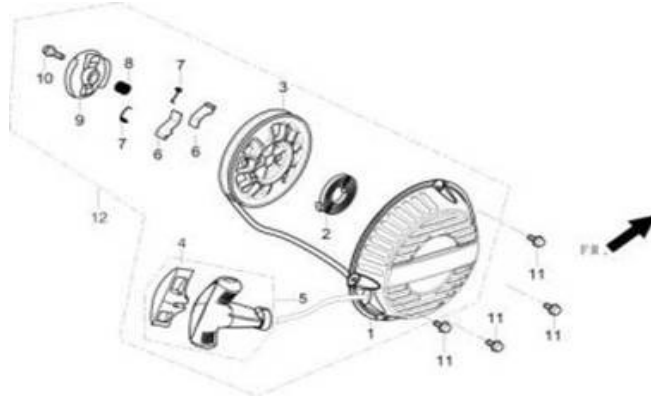
REF.NO.	PARTS CODE	DESCRIPTION	Q'TY	Unit Price (USD) EX-WORK
FIG.5-1	1000030	RING SET, OIL	1	1.18
FIG.5-2	1000031	CLIP, PISTON PIN	2	0.40
FIG.5-3	1000032	PISTON ASSY.	1	4.10
	1001013	PISTON ASSY. (0.5MM OVER SIZE)	1	4.50
FIG.5-4	1000033	PIN, PISTON	1	1.00
FIG.5-5	1000034	ROD, CONNECTING	1	3.88
FIG.5-7	1000035	RING, THE FIRST	1	1.08
FIG.5-8	1000036	RING, THE SECOND	1	0.82

FIG.6 TRAIN,VALVE / CAMSHAFT SUB-ASSEMBLY



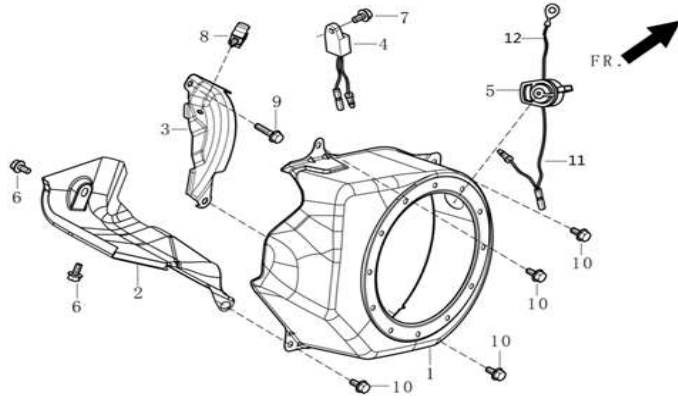
REF.NO.	PARTS CODE	DESCRIPTION	Q'TY	Unit Price (USD) EX-WORK
FIG.6-1	1000037	CAMSHAFT ASSY.	1	7.14
FIG.6-3	1000490	VALVE, EXHAUST (REV.FROM 1000038)	1	1.88
FIG.6-4	1000039	VALVE, INTAKE	1	1.62
FIG.6-5	1000040	SEAT, VALVE SPRING	1	1.04
FIG.6-6	1000041	RETAINER, EXHAUST VALVE	1	1.08
FIG.6-7	1000042	ROTATOR, VALVE	1	0.90
FIG.6-8	1000043	GUIDE, SEAL	1	0.92
FIG.6-9	1000044	TAPPET, VALVE	2	0.86
FIG.6-10	1000045	LIFTER, VALVE	2	0.66
FIG.6-11	1000491	PLATE SUB-ASSEMBLY, LIFTER STOPPER (REV.FROM 1000046)	1	0.40
FIG.6-12	1000047	BOLT, VALVE ADJUSTING	2	0.54
FIG.6-13	1000048	ROCKER, VALVE	2	0.40
FIG.6-14	1000049	NUT, VALVE ADJUSTING	2	0.60
FIG.6-15	1000050	NUT, VALVE LOCK	2	0.40
FIG.6-16	1000051	SPRING, VALVE	2	0.40

FIG.7 STARTER,RECOIL



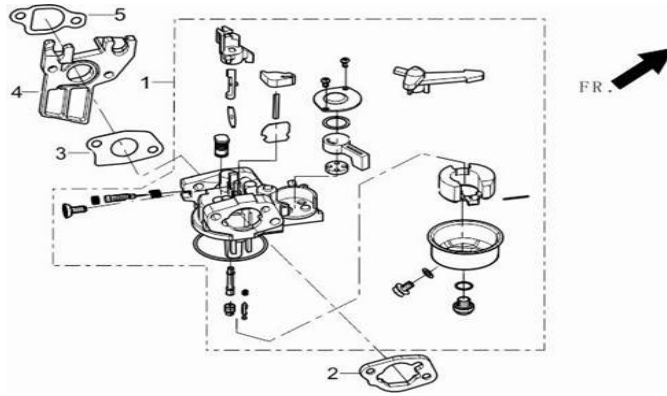
REF.NO.	PARTS CODE	DESCRIPTION	Q'TY	Unit Price (USD) EX-WORK
FIG.7-11	1000463	BOLT (CHANGED FROM 100005)	4	0.40
FIG.7-12	1000052	STARTER ASSY, RECOIL (D-TYPE)	1	7.88
	1000607	STARTER ASSY, RECOIL (O-TYPE) METAL TYPE	1	7.88

FIG.8 SHROUD / SHIELD,LOWER



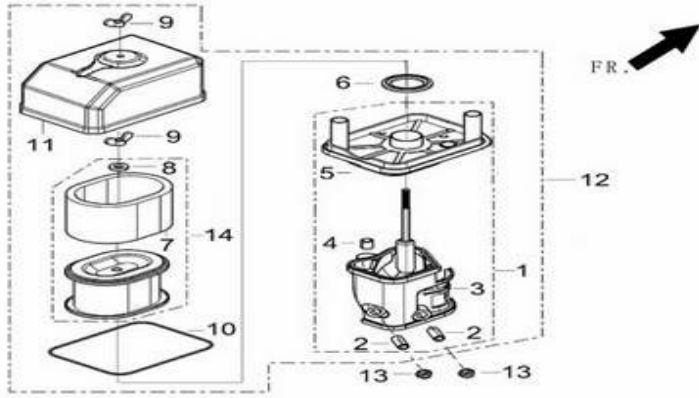
REF.NO.	PARTS CODE	DESCRIPTION	Q'TY	Unit Price (USD) EX-WORK
FIG.8-1	1000504	SHROUD (REV.FROM 1000053)	1	5.22
FIG.8-2	1000054	SHROUD, CYLINDER BODY	1	1.40
FIG.8-3	1000494	SHIELD LOWER (OIL ALERT)	1	0.72
	1000055	SHIELD,LOWER	1	0.72
FIG.8-4	1000056	PROTECTOR, OIL (OIL ALERT)	1	1.40
FIG.8-5	1000727	SWITCH SUB-ASSEMBLY, STOP ENGINE (OIL ALERT) (REV.FROM 1000057)	1	1.14
	1000094	SWITCH SUB-ASSEMBLY, STOP ENGINE	1	1.14
FIG.8-6	1000414	BOLT (SAME AS 1000058)	2	0.40
FIG.8-7	1000400	BOLT(OIL ALERT) (CHAGED FROM 1000059)	1	0.40
FIG.8-8	1000060	COLLAR (OIL ALERT)	1	0.40
FIG.8-9	1000061	BOLT	1	0.40
FIG.8-10	1000400	BOLT (SAME AS 1000005)	4	0.40

FIG.9 CARBURETOR ASSY.



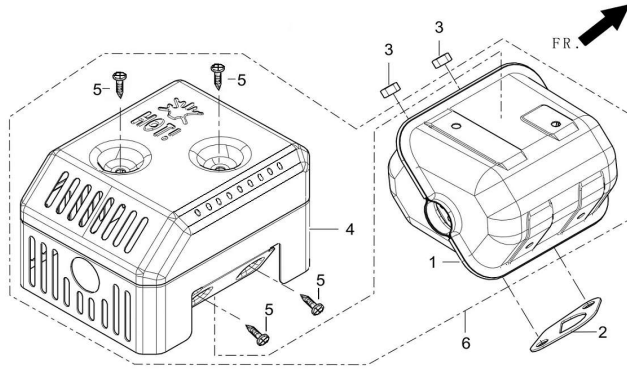
REF.NO.	PARTS CODE	DESCRIPTION	Q'TY	Unit Price (USD) EX-WORK
FIG.9-1	1000062	CARBURETOR ASSY.	1	12.52
FIG.9-2	1000063	GASKET, AIR CLEANER	1	0.66
FIG.9-3	1000064	GASKET, CARBURETOR	1	0.40
FIG.9-4	1000065	PLATE, CARBURETOR INSULATOR	1	0.72
FIG.9-5	1000066	GASKET, CARBURETOR INSULATOR	1	0.40

FIG.10 CLEANER, AIR



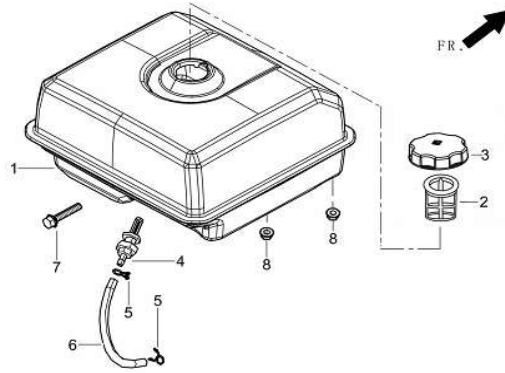
REF.NO.	PARTS CODE	DESCRIPTION	Q'TY	Unit Price (USD) EX-WORK
FIG.10-1	1001003	CLEANER BASE ASSY	1	1.86
FIG.10-6	1001004	SEAL	1	0.40
FIG.10-7	1000944	AIR FILTER ELEMENT	1	0.70
FIG.10-8	1000945	RING, SEAL	1	0.40
FIG.10-9	1001005	WING NUT	2	0.40
FIG.10-10	1001006	SEAL	1	0.40
FIG.10-11	1001007	CLEANER COVER	1	2.16
FIG.10-12	1000068	CLEANER, AIR	1	4.42
FIG.10-13	1000069	NUT	2	0.40
FIG.10-14	1000948	ELEMENT SUBASSEMBLY,AIR CLEANER	1	1.92

FIG.11 MUFFLER ASSY.



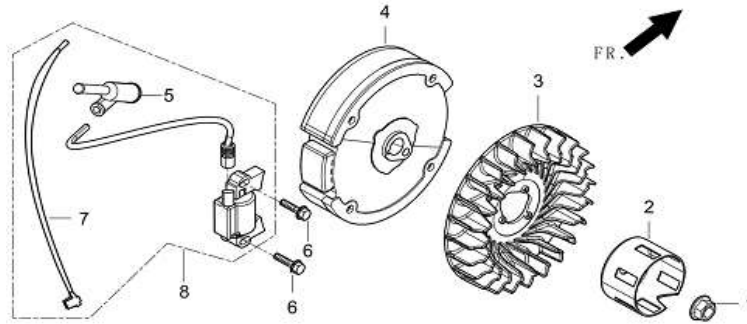
REF.NO.	PARTS CODE	DESCRIPTION	Q'TY	Unit Price (USD) EX-WORK
FIG.11-2	1000070	GASKET, EXHAUST OUTLET	1	0.40
FIG.11-3	1000071	NUT	2	0.40
FIG.11-6	1000072	MUFFLER ASSY.	1	8.86

FIG.12 TANK ASSY, FUEL



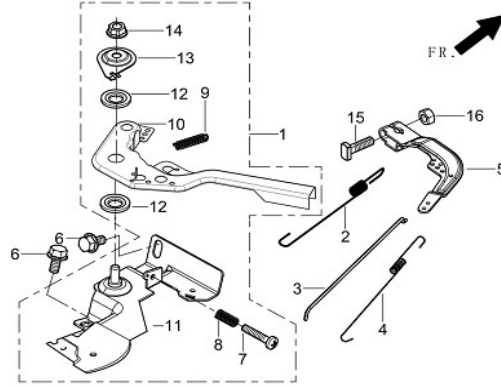
REF.NO.	PARTS CODE	DESCRIPTION	Q'TY	Unit Price (USD) EX-WORK
FIG.12-1	1000216	TANK, FUEL (REV.FROM 1000073)	1	13.26
FIG.12-2	1000217	STRAINER, FUEL (REV.FROM 1000074)	1	0.40
FIG.12-3	1000075	COVER, FUEL TANK	1	1.42
FIG.12-4	1000076	OUTLET SUB-ASSEMBLY, FUEL TANK OIL	1	0.66
FIG.12-5	1001562	COLLAR (REV TO 1000077)	2	0.40
FIG.12-6	1000078	TUBE, FUEL	1	1.56
FIG.12-7	1000419	BOLT (REV.FROM 1000079)	1	0.40
FIG.12-8	1000069	NUT	2	0.40

FIG.13 FLYWHEEL / IMPELLER / STARTER PULLEY / IGNITION COIL



REF.NO.	PARTS CODE	DESCRIPTION	Q'TY	Unit Price (USD) EX-WORK
FIG.13-1	1000080	NUT, FLYWHEEL	1	0.40
FIG.13-2	1000081	PULLEY,STARTER FOR STARTER ASSY, RECOIL (D-TYPE)	1	1.54
	1000421	PULLEY,STARTER FOR STARTER ASSY, RECOIL (O-TYPE)	1	1.54
FIG.13-3	1000082	COOLING FAN	1	1.50
FIG.13-4	1000083	FLYWHEEL SUB-ASSEMBLY	1	11.28
FIG.13-6	1000422	BOLT (SAME AS 1000084)	2	0.40
FIG.13-8	1000736	COIL, IGNITION (OIL ALERT)	1	7.46
FIG.13-8	1000085	COIL, IGNITION	1	6.60

FIG.14 CONTROL ASSY, THROTTLE



REF.NO.	PARTS CODE	DESCRIPTION	Q'TY	Unit Price (USD) EX-WORK
FIG.14-1	1000777	CONTROL ASSY, THROTTLE (REV FROM 1000086)	1	1.52
FIG.14-2	1000423	SPRING, GOVERNOR (REV.FROM 1000087)	1	0.40
FIG.14-3	1000088	ROD, GOVERNEOR	1	0.40
FIG.14-4	1000089	SPRING, THROTTLE VALVE RETURNING	1	0.40
FIG.14-5	1000090	SUPPORT SUBASSEMBLY, GOVERNOR	1	0.72
FIG.14-6	1000414	BOLT (SAME AS 1000058)	2	0.40
FIG.14-15	1000091	BOLT, GOVERNOR SUPPORT	1	0.40
FIG.14-16	1000069	NUT	1	0.40

(GASKET SET) 100800101

REF.NO.	PARTS CODE	DESCRIPTION	Q'TY	Unit Price (USD) EX-WORK
FIG.1-4	1000001	GASKET, CYLINDER HEAD	1	4.70
FIG.1-6	1000399	GASKET, CYLINDER HEAD COVER (REV.FROM 1000003)	1	
FIG.3-4	1000024	GASKET, CRANKCASE	1	
FIG.9-2	1000063	GASKET, AIR CLEANER	1	
FIG.9-3	1000064	GASKET, CARBURETOR	1	
FIG.9-5	1000066	GASKET, CARBURETOR INSULATOR	1	
FIG.11-2	1000070	GASKET, EXHAUST OUTLET	1	

(PISTON RING SET) 100800201

REF.NO.	PARTS CODE	DESCRIPTION	Q'TY	Unit Price (USD) EX-WORK
FIG.5-1	1000030	RING SET, OIL	1	3.08
FIG.5-7	1000035	RING, THE FIRST	1	
FIG.5-8	1000036	RING, THE SECOND	1	

(PISTON RING SET 0.5MM OVER SIZE) 100101201

REF.NO.	PARTS CODE	DESCRIPTION	Q'TY	Unit Price (USD) EX-WORK
FIG.5-1		RING SET, OIL	1	3.60
FIG.5-7		RING, THE FIRST	1	
FIG.5-8		RING, THE SECOND	1	