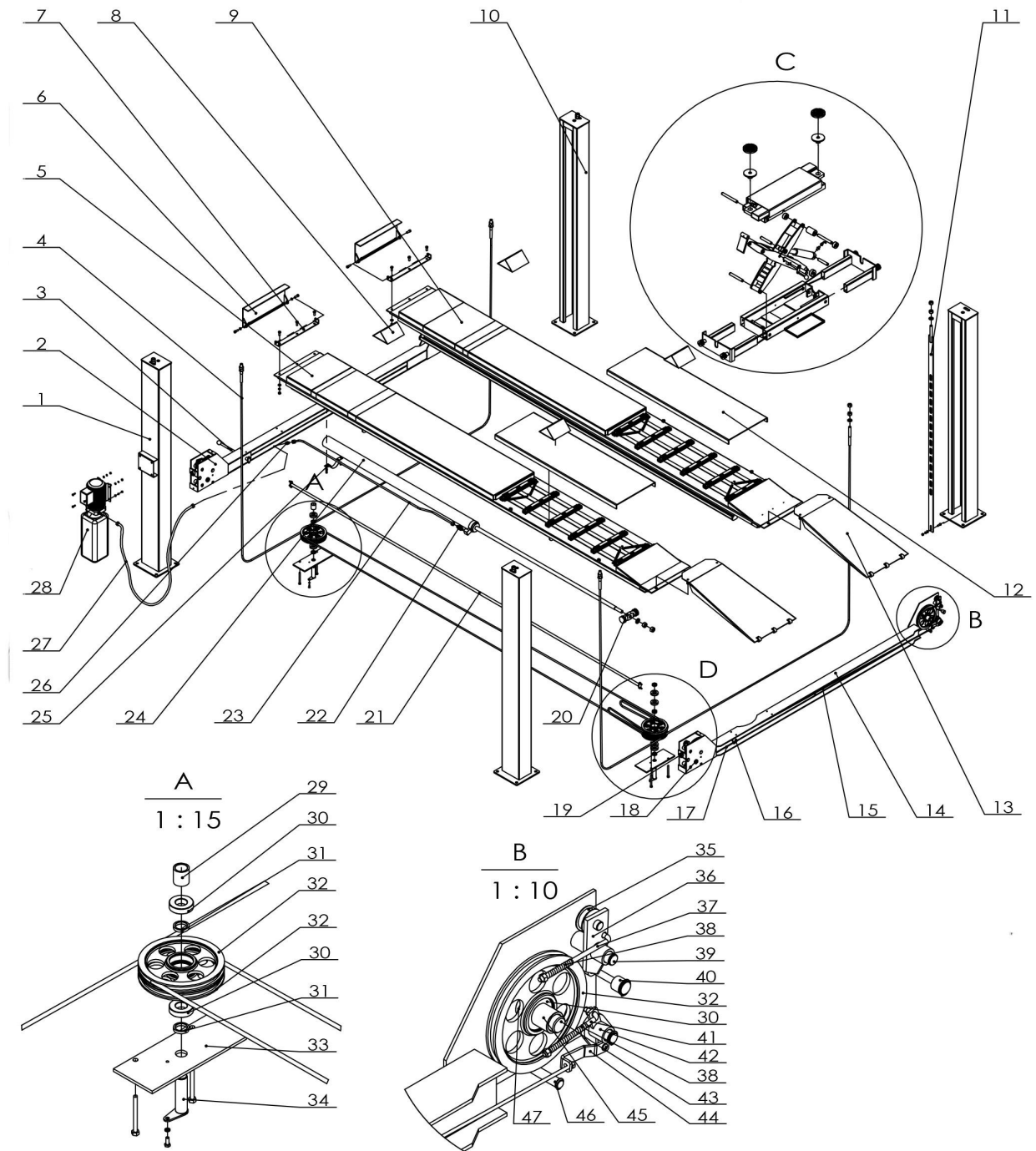
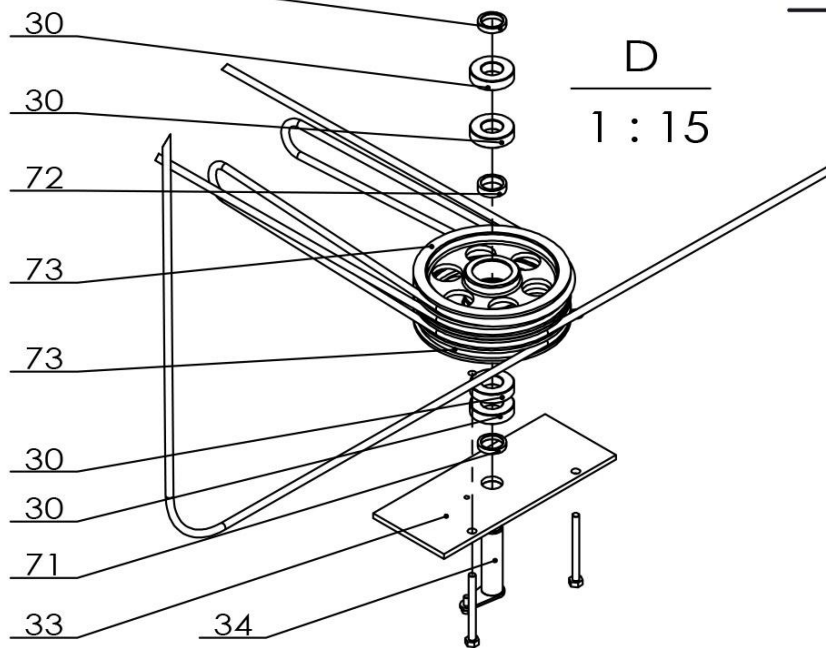
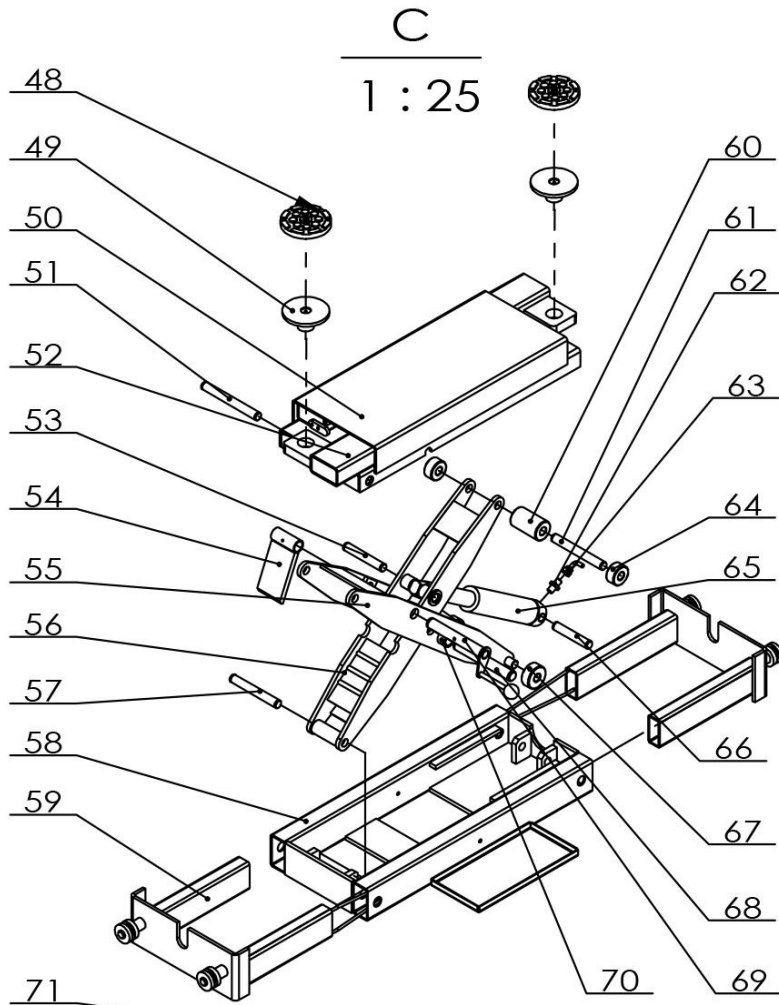


10. Exploded drawing





No.	Part name	Qty.	No.	Part name	Qty.
1	main column	2	38	spring	8
2	Main crossbeam	1	39	axle	8
3	Release handle	1	40	Limit rod	4
4	Steel cable	2	41	Spring rod	4
5	Main runway	1	42	Safety plate	4
6	Stopper	2	43	Pulley axle	4
7	Stopper socket	2	44	Safety rod	4
8	Wheel stopper	4	45	Cage ring	4
9	Vice runway	1	46	Limit axle	4
10	Vice column	2	47	Cage ring	4
11	Lock ladder	4	48	Rubber pad	2
12	Sliding plate	2	49	Pad weldment	2
13	ramp	2	50	platform	1
14	Vice crossbeam	1	51	axle	1
15	Long rod	2	52	arm	2
16	Safety gear	1	53	Cylinder axle	1
17	Short rod	2	54	Upper safety plate	1
18	Nylon stopper	8	55	Outer scissor	1
19	Limit mat	4	56	Inner scissor	1
20	Cable fixing plate	1	57	axle	1
21	Lock rod	1	58	Bottom plate	1
22	Release valve	1	59	Bottom frame	2
23	Hydraulic hose	1	60	Inner bush	1
24	cylinder	1	61	axle	1
25	Cylinder fixing plate	1	62	fitting	1
26	fitting	1	63	Hydraulic hose	1
27	Hydraulic hose	1	64	Upper pulley	2
28	Power unit	1	65	cylinder	1
29	clip	1	66	axle	1
30	Bearing $\Phi 62 \times \Phi 30 \times 16$	6	67	Lower pulley	2
31	Clip	2	68	axle	1
32	Single pulley	6	69	Safety plate axle	1
33	Bottom reinforcing plate	2	70	bush	2
34	Pulley axle	2	71	Cage ring	2
35	Small pulley	4	72	Cage ring	1
36	Anti cable broken lock	4	73	Double pulley	2
37	Spring rod	4			